

Low voltage fast-switching PNP power transistors

Features

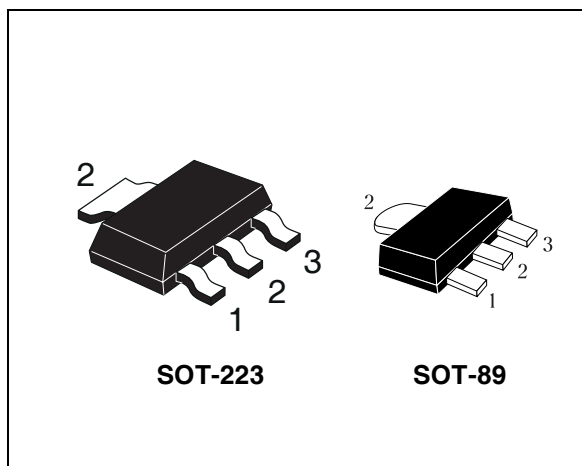
- Very low collector-emitter saturation voltage
- High current gain characteristic
- Fast-switching speed
- In Compliance with the 2002/93/EC European Directive
- Surface mounting devices in medium power SOT-223 and SOT-89 packages
- Available in tape & reel packing

Applications

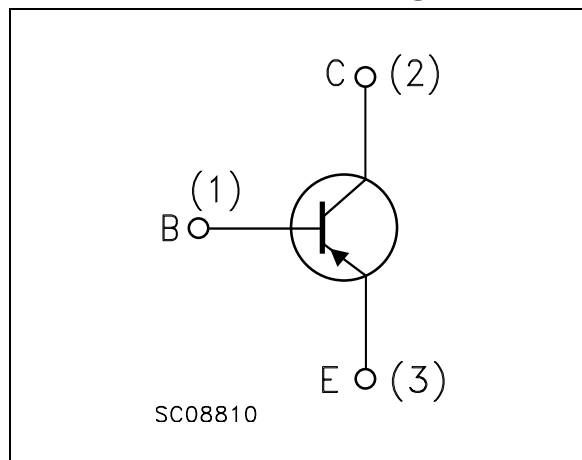
- Emergency lighting
- Led
- CCFL drivers (back lighting)
- Voltage regulation
- Relay driver

Description

The 2STF2360 and 2STN2360 are PNP transistors manufactured using new "PB-HDC" (Power Bipolar High Density Current) technology. The resulting transistor shows exceptional high gain performances coupled with very low saturation voltage.



Internal Schematic Diagram



Order Codes

Part Number	Marking	Package	Packaging
2STF2360	2360	SOT-89	Tape & Reel
2STN2360	N2360	SOT-223	Tape & Reel

1 Absolute Maximum Ratings

Table 1. Absolute Maximum Rating

Symbol	Parameter	Value		Unit
		2STF2360	2STN2360	
		SOT-89	SOT-223	
V_{CB0}	Collector-Base Voltage ($I_E = 0$)	-60		V
V_{CEO}	Collector-Emitter Voltage ($I_B = 0$)	-60		V
V_{EBO}	Emitter-Base Voltage ($I_C = 0$)	-6		V
I_C	Collector Current	-3		A
I_{CM}	Collector Peak Current ($t_p < 5\text{ms}$)	-5		A
I_B	Base Current	-0.2		A
I_{BM}	Base Peak Current ($t_p < 5\text{ms}$)	-0.4		A
P_{TOT}	Total dissipation at $T_{amb} = 25^\circ\text{C}$	1.4	1.6	W
T_{stg}	Storage Temperature	-65 to 150		$^\circ\text{C}$
T_J	Max. Operating Junction Temperature	150		$^\circ\text{C}$

Table 2. Thermal Data

Symbol	Parameter	SOT-89	SOT-223	
$R_{thJ-amb}^{\#}$	Thermal Resistance Junction-Ambient Max	89	78	$^\circ\text{C}/\text{W}$

Note: $\#$ Device mounted on a PCB area of 1 cm^2 .

2 Electrical Characteristics

Table 3. Electrical Characteristics ($T_{CASE} = 25^{\circ}C$; unless otherwise specified)

Symbol	Parameter	Test Conditions	Min.	Typ.	Max.	Unit
I_{CBO}	Collector Cut-off Current ($I_E = 0$)	$V_{CB} = -60V$			-100	nA
I_{EBO}	Emitter Cut-off Current ($I_C = 0$)	$V_{EB} = -6V$			-100	nA
$V_{BE(on)}$	Base-Emitter Voltage	$V_{CE} = -2V$ $I_C = -100mA$	-630	-670	-730	mV
$V_{CE(sat)}$ <i>Note: 1</i>	Collector-Emitter Saturation Voltage	$I_C = -2A$ $I_B = -100mA$ $I_C = -3A$ $I_B = -150mA$		-250 -350	-320 -500	mV
$V_{BE(sat)}$ <i>Note: 1</i>	Base-Emitter Saturation Voltage	$I_C = -2A$ $I_B = -100mA$		-0.89	-1.2	V
h_{FE} <i>Note: 1</i>	DC Current Gain	$I_C = -100mA$ $V_{CE} = -2V$ $I_C = -1A$ $V_{CE} = -2V$	80 160	280	400	
t_d t_r t_s t_f	RESISTIVE LOAD Delay Time Rise Time Storage Time Fall Time	$I_C = -3A$ $V_{CC} = -10V$		10 75 250 35	15 100 350 50	ns
f_T	Transition Frequency	$I_C = -0.1A$ $V_{CE} = -10V$		130		MHz

Note: 1 Pulsed duration = 300 μ s, duty cycle $\leq 1.5\%$.

2.1 Typical Characteristics (curves)

Figure 1. DC Current Gain

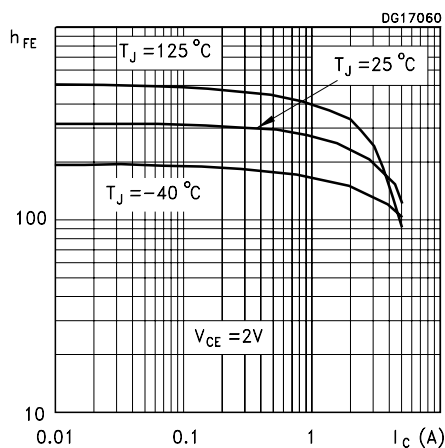


Figure 2. DC Current Gain

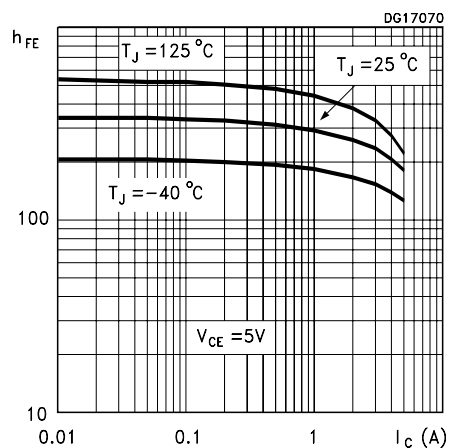


Figure 3. Collector Emitter Saturation Voltage **Figure 4. Base Emitter Saturation Voltage**

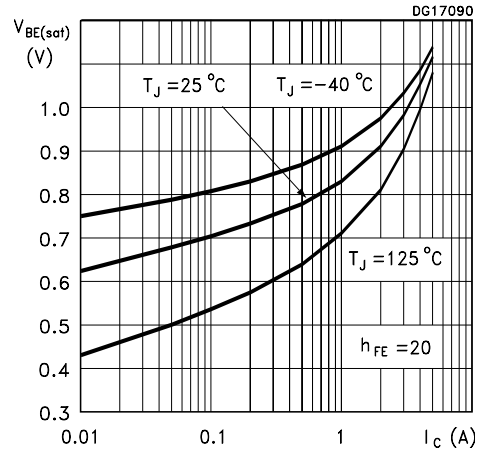
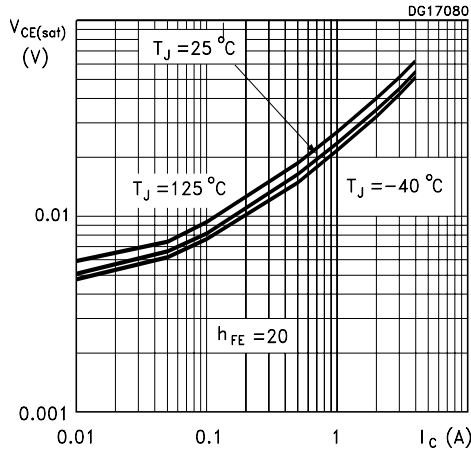


Figure 5. Resistive Load Switching Times

Figure 6. Resistive Load Switching Times

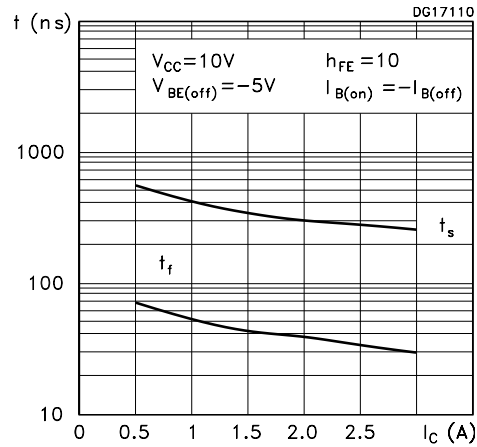
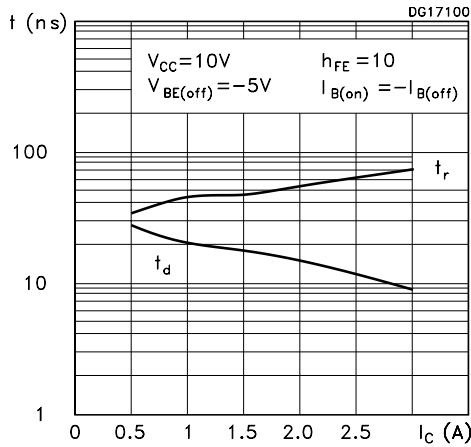
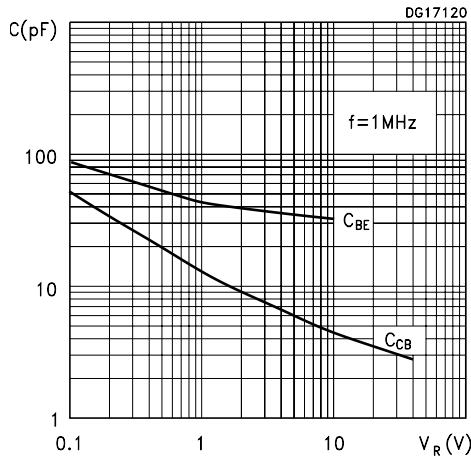


Figure 7. Capacitance

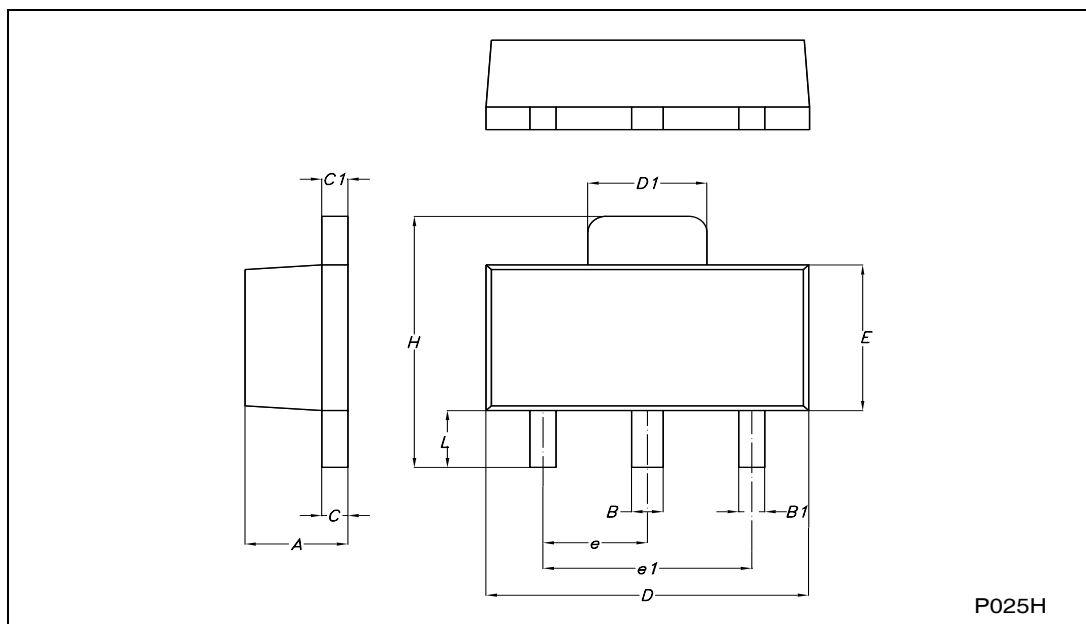


3 Package Mechanical Data

In order to meet environmental requirements, ST offers these devices in ECOPACK® packages. These packages have a Lead-free second level interconnect . The category of second level interconnect is marked on the package and on the inner box label, in compliance with JEDEC Standard JESD97. The maximum ratings related to soldering conditions are also marked on the inner box label. ECOPACK is an ST trademark. ECOPACK specifications are available at: www.st.com

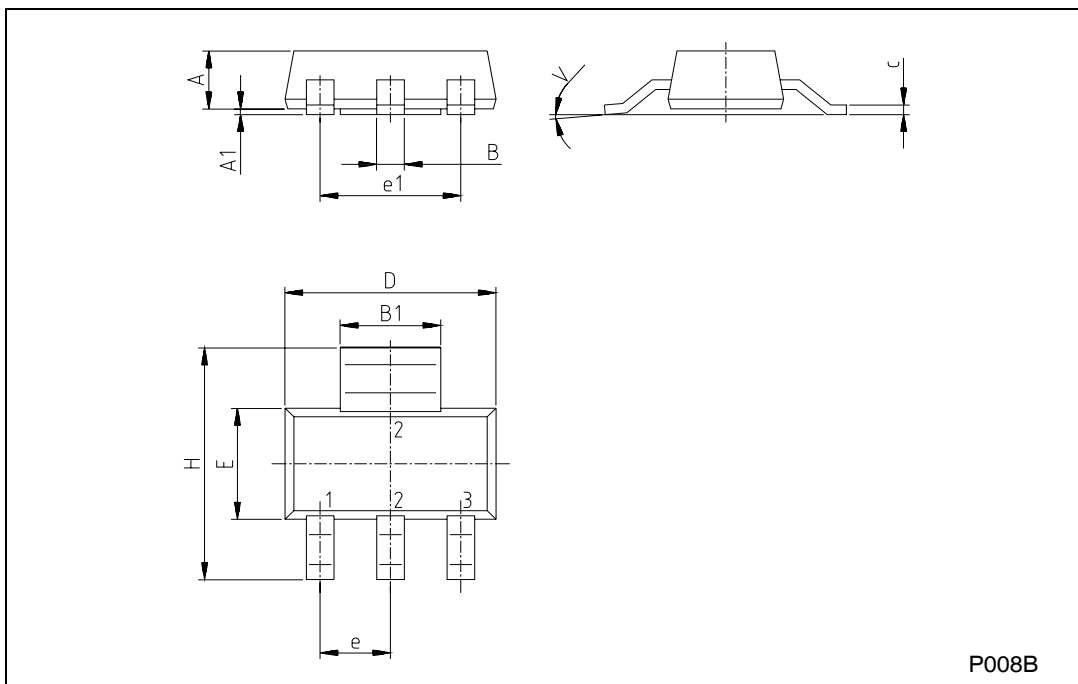
SOT-89 MECHANICAL DATA

DIM.	mm			mils		
	MIN.	TYP.	MAX.	MIN.	TYP.	MAX.
A	1.4		1.6	55.1		63.0
B	0.44		0.56	17.3		22.0
B1	0.36		0.48	14.2		18.9
C	0.35		0.44	13.8		17.3
C1	0.35		0.44	13.8		17.3
D	4.4		4.6	173.2		181.1
D1	1.62		1.83	63.8		72.0
E	2.29		2.6	90.2		102.4
e	1.42		1.57	55.9		61.8
e1	2.92		3.07	115.0		120.9
H	3.94		4.25	155.1		167.3
L	0.89		1.2	35.0		47.2



SOT-223 MECHANICAL DATA

DIM.	mm			inch		
	MIN.	TYP.	MAX.	MIN.	TYP.	MAX.
A			1.80			0.071
B	0.60	0.70	0.80	0.024	0.027	0.031
B1	2.90	3.00	3.10	0.114	0.118	0.122
c	0.24	0.26	0.32	0.009	0.010	0.013
D	6.30	6.50	6.70	0.248	0.256	0.264
e		2.30			0.090	
e1		4.60			0.181	
E	3.30	3.50	3.70	0.130	0.138	0.146
H	6.70	7.00	7.30	0.264	0.276	0.287
V			10°			10°
A1		0.02				



P008B



4 Revision History

Date	Revision	Changes
13-Sep-2006	1	Initial Release
02-Mar-2007	2	New graphics have been added

Please Read Carefully:

Information in this document is provided solely in connection with ST products. STMicroelectronics NV and its subsidiaries ("ST") reserve the right to make changes, corrections, modifications or improvements, to this document, and the products and services described herein at any time, without notice.

All ST products are sold pursuant to ST's terms and conditions of sale.

Purchasers are solely responsible for the choice, selection and use of the ST products and services described herein, and ST assumes no liability whatsoever relating to the choice, selection or use of the ST products and services described herein.

No license, express or implied, by estoppel or otherwise, to any intellectual property rights is granted under this document. If any part of this document refers to any third party products or services it shall not be deemed a license grant by ST for the use of such third party products or services, or any intellectual property contained therein or considered as a warranty covering the use in any manner whatsoever of such third party products or services or any intellectual property contained therein.

UNLESS OTHERWISE SET FORTH IN ST'S TERMS AND CONDITIONS OF SALE ST DISCLAIMS ANY EXPRESS OR IMPLIED WARRANTY WITH RESPECT TO THE USE AND/OR SALE OF ST PRODUCTS INCLUDING WITHOUT LIMITATION IMPLIED WARRANTIES OF MERCHANTABILITY, FITNESS FOR A PARTICULAR PURPOSE (AND THEIR EQUIVALENTS UNDER THE LAWS OF ANY JURISDICTION), OR INFRINGEMENT OF ANY PATENT, COPYRIGHT OR OTHER INTELLECTUAL PROPERTY RIGHT.

UNLESS EXPRESSLY APPROVED IN WRITING BY AN AUTHORIZED REPRESENTATIVE OF ST, ST PRODUCTS ARE NOT RECOMMENDED, AUTHORIZED OR WARRANTED FOR USE IN MILITARY, AIR CRAFT, SPACE, LIFE SAVING, OR LIFE SUSTAINING APPLICATIONS, NOR IN PRODUCTS OR SYSTEMS, WHERE FAILURE OR MALFUNCTION MAY RESULT IN PERSONAL INJURY, DEATH, OR SEVERE PROPERTY OR ENVIRONMENTAL DAMAGE. ST PRODUCTS WHICH ARE NOT SPECIFIED AS "AUTOMOTIVE GRADE" MAY ONLY BE USED IN AUTOMOTIVE APPLICATIONS AT USER'S OWN RISK.

Resale of ST products with provisions different from the statements and/or technical features set forth in this document shall immediately void any warranty granted by ST for the ST product or service described herein and shall not create or extend in any manner whatsoever, any liability of ST.

ST and the ST logo are trademarks or registered trademarks of ST in various countries.

Information in this document supersedes and replaces all information previously supplied.

The ST logo is a registered trademark of STMicroelectronics. All other names are the property of their respective owners.

©2007 STMicroelectronics - All rights reserved

STMicroelectronics group of companies

Australia - Belgium - Brazil - Canada - China - Czech Republic - Finland - France - Germany - Hong Kong - India - Israel - Italy - Japan - Malaysia - Malta - Morocco - Singapore - Spain - Sweden - Switzerland - United Kingdom - United States of America

www.st.com

